



30-INCH REFRIGERATOR COLUMN PANEL-READY

DRR3098ORAP | DRR3098OLAP



PRODUCT FEATURES

- Full height door with true flush cabinet integration without exposed venting grill
- SteelCool™ Stainless Steel Interior illuminated by 3DLighting™
- Push-To-Open™ Door Assist opens the door upon a slight push for a luxuriously convenient experience
- Internal Water Dispenser for easy access to clean, filtered water
- iQ RemoteView™ Cameras (Wi-Fi) enables users to check what's in your fridge from your phone

TEMPERATURE RANGES

REFRIGERATOR	34°F (1°C) TO 44°F (7°C)
REFRIGERATOR - POWER COOL	34°F (1°C)
FRESHZONE™ DRAWER	37°F (3°C) / 33°F (-1°C) / 29°F (-1°C)

DIMENSIONS & WEIGHT

APPLIANCE DIMENSIONS (W X H X D) (IN.)	29 3/4" X 83 3/8" X 23 13/16"
REQUIRED CUTOUT SIZE (W X H X D) (IN.)	30" X 84" X 25"
NET WEIGHT (LBS)	472

GENERAL PROPERTIES

PANEL READY	YES
DOOR SWING	LAP-LEFT, RAP-RIGHT
PUSH-TO-OPEN™ DOOR ASSIST	YES
INTERNAL WATER DISPENSER	YES
IQ REMOTEVIEW™ CAMERA	YES (2 EA)
DEODORIZING FILTER	YES
LIGHTING	3DLIGHTING™
INTERIOR MATERIAL	STEELCOOL™ STAINLESS STEEL INTERIOR
FULL WIDTH SHELVES	4 EA
SHELF MATERIAL	TEMPERED, METAL TRIM, SPILL-PROOF
FULL EXTENSION DRAWERS AT 90° DOOR OPENING ANGLE	YES
FRESHZONE™ DRAWER	CHEESE 37°F (3°C) / COLD DRINKS 33°F (1°C) / MEAT 29°F (-1°C)
CRISPER DRAWERS	2 EA
DOOR BINS	4 EA
DOOR OPEN ALARM	YES
SPECIAL MODES	SABBATH MODE

CAPACITY

TOTAL UNIT GROSS CAPACITY (CU. FT.) - AHAM	17.8 CU. FT.
REFRIGERATOR GROSS CAPACITY (CU. FT.)	17.8 CU. FT.

PERFORMANCE

DEDICATED EVAPORATOR & COMPRESSOR SYSTEM	YES
POWER COOL	YES
PRECISE COOLING	YES

EFFICIENCY

ENERGY STAR® QUALIFIED	YES
ANNUAL ENERGY CONSUMPTION	280 KWH/YEAR

TECHNICAL DETAILS

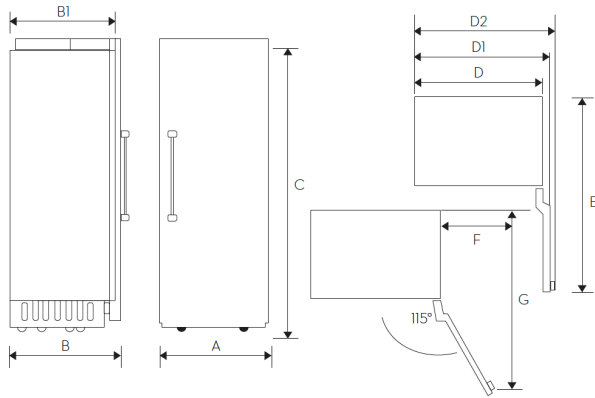
CURRENT (A)	15
VOLTS (V)	115
FREQUENCY (HZ)	60
POWER CORD LENGTH (IN.)	78 3/4"
PLUG TYPE	120 V, 3 PRONG

WARRANTY

LIMITED, ENTIRE APPLIANCE, PARTS AND LABOUR ON ANY PART OF THE REFRIGERATOR	2 YEARS
LIMITED WARRANTY FOR SEALED REFRIGERATION SYSTEM; PARTS AND LABOUR	3 RD TO 6 TH YEAR
LIMITED WARRANTY FOR SEALED REFRIGERATION SYSTEM; PARTS ONLY	7 TH TO 12 TH YEAR
LIMITED WARRANTY FOR COMPRESSOR; PARTS ONLY	13 TH TO 15 TH YEAR

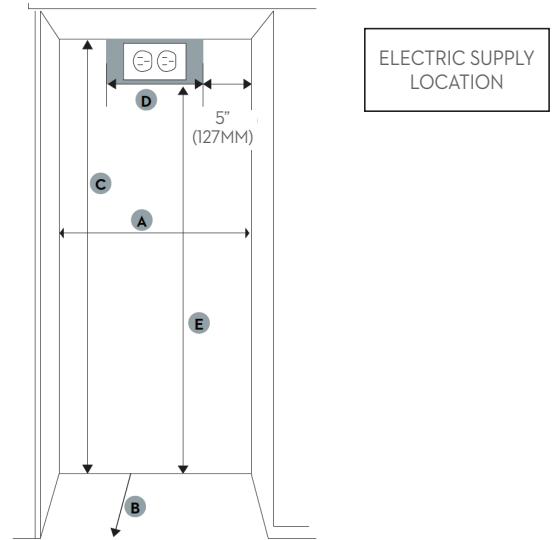
APPLIANCE DIMENSIONS

A (TOTAL WIDTH INCL. PANELS)	29 3/4" (756MM)
B (WITH PANEL)	25" (635MM)
B1 (WITHOUT PANEL)	23 13/16" (605MM)
C (HEIGHT)	83 3/8" (2118MM)
D	29 5/8" (752MM)
D1 (WITH PANEL)	30 7/8" (784MM)
D2 (WITH CONTEMPORARY HANDLE)	32 3/4" (832MM)
D3 (WITH PROFESSIONAL HANDLE)	33 3/8" (848MM)
E	56 11/16" (1440MM)
F	16 9/16" (421MM)
G	55 5/16" (1404MM)



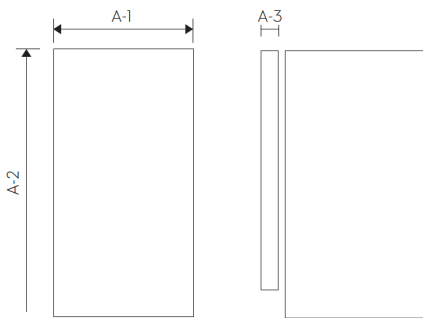
INSTALLATION CUTOUT DIMENSIONS

A (WIDTH)	30" (762MM)
B (DEPTH)	25" (635MM)
C (HEIGHT)	84" (2134MM)
D	20" (508MM)
E	80" (2032MM)

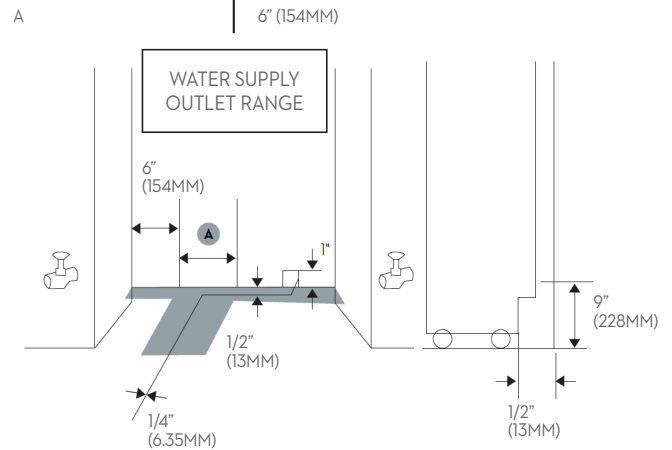


CUSTOM PANEL DIMENSIONS

A-1 (WIDTH)	29 3/4" (756MM)
A-2 (HEIGHT)	79 7/8" (2029MM)
A-3 (DEPTH)	3/4" (19MM)
MAX WEIGHT	88.0 LBS. (40 KG)



WATER SUPPLY CONNECTION REQUIREMENTS



ACCESSORIES

TRANSITIONAL SILVER STAINLESS STEEL - 30" PANEL KIT	RAC30ACLHSR (LEFT HINGE)	RAC30ACRHSR (RIGHT HINGE)
CONTEMPORARY GRAPHITE STAINLESS STEEL - 30" PANEL KIT	RAC30AMLHMS (LEFT HINGE)	RAC30AMRHSR (RIGHT HINGE)
CONTEMPORARY SILVER STAINLESS STEEL - 30" PANEL KIT	RAC30AMLHSR (LEFT HINGE)	RAC30AMRHSR (RIGHT HINGE)
PROFESSIONAL SILVER STAINLESS STEEL - 30" PANEL KIT	RAC30AHLHSR (LEFT HINGE)	RAC30AHRHSR (RIGHT HINGE)
CONTEMPORARY GRAPHITE STAINLESS STEEL - 30" KICK PLATE	RAC30TKBBMS	
CONTEMPORARY SILVER STAINLESS STEEL - 30" KICK PLATE	RAC30TKBBSR	
GRAPHITE STAINLESS STEEL - CONTEMPORARY HANDLE	RAC00MHAAMS	
SILVER STAINLESS STEEL - CONTEMPORARY HANDLE	RAC00MHAASR	
SILVER STAINLESS STEEL - PROFESSIONAL HANDLE	RAC00PHAASR	
PAIR INSTALLATION KIT	RAC00CPAAAA	
WATER FILTER	RAC00WFAAAA	
DEODORIZING FILTER	RAC00DFAAAA	