

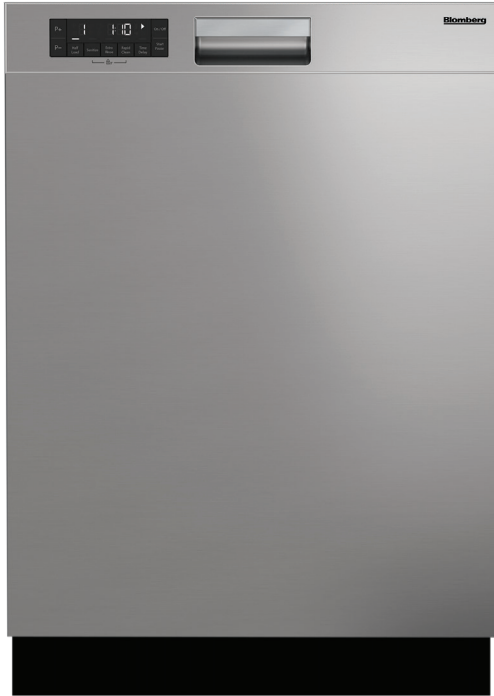


IN HARMONY WITH NATURE,  
YOUR LIFE, AND YOU.

**Blomberg**  
seit 1883

## 24 Inch Front Control Dishwasher

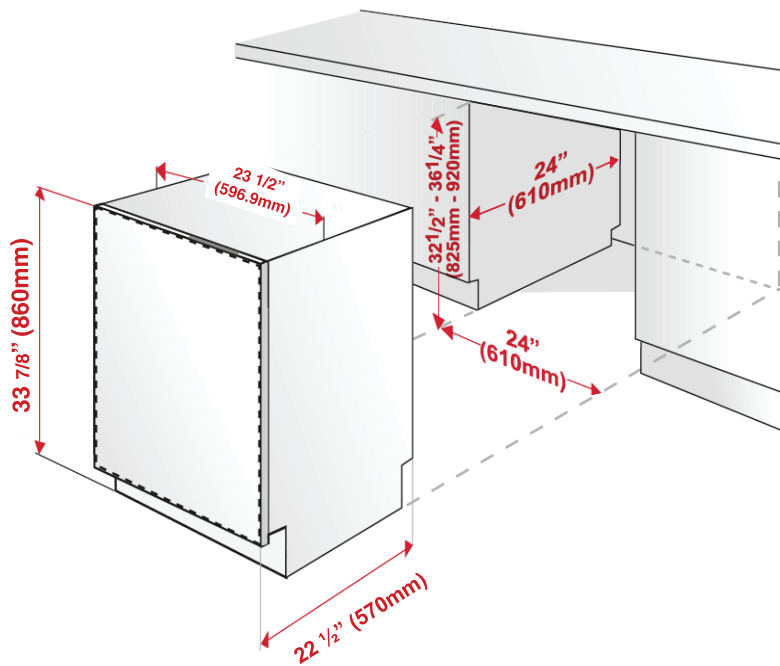
DWT25504SS



### KEY FEATURES

- 14 Place Settings
- 5 Programs
- 48 dBA Silent Operation
- Flexible Rack Loading
- Fast Function
- 5 Level Wash

GENERAL	
Control Type	Electronic
Position	Front
Finish	Fingerprint-free Stainless Steel
MAIN FEATURES	
Loading Capacity	14
Tub Material	Stainless Steel
Inner Door Material	Stainless Steel
DMFS Overflow Protection	Yes
5 Level Wash with Spray Arm	Yes
Delay Timer Up to 1-24 hours	Yes
3-way Filtration	Yes
Drying	Condensation
Brushless DCTM Motor	Yes
Turbidity Sensor	Yes
Silent Level, dBA	48 dBA
ProCare	Yes
All-In-One Tablet Function	Yes
1/2 Load Function	Yes
Sanitize Function	Yes
ExtraRinse Function	Yes
Rapid Clean Function	Yes
PROGRAMS	
Number of Programs	5
Pots and Pans Plus	Yes
Regular Wash	Yes
Express Dry	Yes
Quick Wash	Yes
DISPLAY	
Program Sequence	Yes/Digital Display
Rinse Aid Indicator	Yes
RACK SYSTEM	
Cutlery Basket	Sliding
Upper Rack ( Inset Shelves)	2
FlexiRack, adjustable Upper Rack	Unloaded
Nylon Coated Racks	Yes
DIMENSIONS	
H x W x D, in.	33 7/8 x 23 1/2 x 22 1/2 in.
Product Weight	80.5 lbs.
H x W x D, cm	86.1 x 59.8 x 57 cm
Product Weight, kg	36.5 kg
ENVIRONMENTAL STANDARDS	
Energy Consumption, kWh/year	234
Water Consumption, gal/cycle	3.5 - 5.0



NOTE TO THE INSTALLER: All height, width, and depth dimensions are shown in inches (as well as metric). Beko U.S., Inc. reserves the absolute and unrestricted right to change product materials and specifications, at any time, without notice. Please visit our website at [www.BlombergAppliances.com](http://www.BlombergAppliances.com) or call 888.352.2356 to verify the latest specifications with final dimensional data and other details prior to installation and making a cutout. Applicable product limited warranty information may be found in accompanying product materials, or you may contact your account manager for further details. Proper installation is the responsibility of the installer. Product failure due to improper installation is not covered under the Limited Warranty.

IN HARMONY WITH NATURE, YOUR LIFE, AND YOU.