



IN HARMONY WITH NATURE,  
YOUR LIFE, AND YOU.

**Blomberg**  
seit 1883

## 18" Slim Tub, Top Control Dishwasher

DWS51502SS



### FEATURES

- 5 Programs
- 4 Functions
- Silent Operation: 48 dBA
- 3 Position Adjustable Upper Rack
- Easy Installation
- Concealed Heating Element
- Adjustable Feet and Self-adjustable Hinge

### CONTROLS

Control Type	Electronic Touch Control
Position	Top
Finish	Stainless Steel

### MAIN FEATURES

Loading Capacity (Place Settings)	8
Tub Material	Stainless Steel
DMFS Overflow Protection	Overflow Safety
5 Level Wash	Yes
Delay Timer	1/2 – 24 hours
Drying System	Static
Brushless DC™ Motor	Yes
Turbidity Sensor	Yes
Silent Operation	48 dBA
All-in-1 Tablet Function	Automatic
Interior High Loop with Air Gap	Yes
Detergent Dispenser Type	Sliding Lid

### FUNCTIONS

Extra Dry Function	Yes
Half Load Function	Yes
Sanitize Function	Yes
RapidClean Function	Yes

### PROGRAMS

Number of Programs	5
Pots and Pans+ (167°F)	Yes
Auto Program (131 – 149°F)	Yes
Regular Wash (142 – 145°F)	Yes
Clean & Dry	Yes
Quick Wash (131°F)	Yes
Rinse & Hold	Yes
ProCare	Yes

### DISPLAY

Rinse Aid Indicator	Yes
---------------------	-----

### RACK SYSTEM

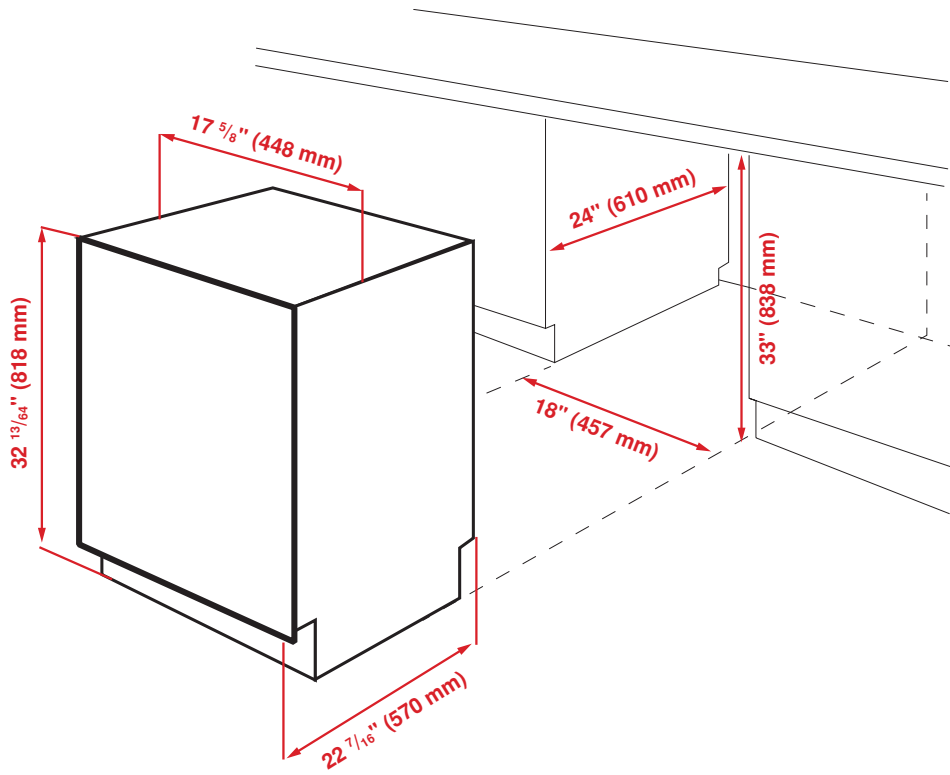
Cutlery Basket	Sliding
Lower Rack (Inset Shelves)	2
Adjustable Upper Rack	3 Positions, Adjustable When Loaded

### DIMENSIONS

H x W x D	32 13/64 x 17 5/8 x 22 7/16 in. (81.8 x 44.8 x 57 cm)
Product Weight	75.17 lb. (34.1 kg)
Packed H x W x D	33 13/16 x 19 7/16 x 26 in. (85.9 x 49.4 x 66.1 cm)
Packed Weight	80.68 lb. (36.6 kg)

### ENVIRONMENTAL STANDARDS

Energy Consumption	220 kWh / year
Water Consumption	2.5 – 4.0 gal. / cycle



NOTE TO THE INSTALLER: All height, width, and depth dimensions are shown in inches (as well as metric). Beko US Inc. reserves the absolute and unrestricted right to change product materials and specifications, at any time, without notice. Please visit our website at [www.BlombergAppliances.com](http://www.BlombergAppliances.com) or call 888.352.2356 to verify the latest specifications with final dimensional data and other details prior to installation and making a cutout. Applicable product limited warranty information may be found in accompanying product materials, or you may contact your account manager for further details. Proper installation is the responsibility of the installer. Product failure due to improper installation is not covered under the Limited Warranty.

IN HARMONY WITH NATURE, YOUR LIFE, AND YOU.