

WT7150CW

5.0 cu. ft. Rear Control Top Load Washer



5.0 cu. ft. Mega Capacity

TurboDrum™ Technology

6Motion™ Technology

SmartDiagnosis™

Water Plus

ColdWash™ Technology

Direct Drive Motor 10-Year Limited Warranty

ENERGY STAR® Certified

SlamProof™ Glass Lid

TrueBalance™ Anti-Vibration System & LoDecibel™

Quiet Operation

SpeedWash™ Cycle

AVAILABLE COLORS



WHITE



SUMMARY

Energy Star Qualified	Yes
Capacity (cu.ft.)	5.0 cu. ft.
Matching Electric Dryer	DLE7150W
Matching Gas Dryer	DLG7151W
Color	White (W)

CAPACITY

Capacity	5.0 cu. ft.
----------	-------------

APPEARANCE

Intelligent Electronic Controls with Dual LED Display	Yes
Touch Buttons	Yes
Electronic Control Panel with LED Display	Yes
Dial-A-Cycle™	Yes

ENERGY

ENERGY STAR® Qualified	Yes
IMEF	2.06
IWF	4.3

WASH PROGRAMS

No. of Programs	8
Wash Programs	Deep Wash, Normal, Bedding, Heavy Duty, Speed Wash, Delicates, Waterproof, Tub Clean

WASH OPTIONS

No. of Options	9
Options	Soak, Extra Rinse, Delay Wash, Control Lock, Water Plus, Cold Wash, Signal, Rinse+Spin, Spin Only

WASH DETAILS

No. of Wash/Rinse Temps	3
Wash/Rinse Temps	Hot, Warm, Cold
No. of Spin Speeds	3
Spin Speeds	High, Medium, Low
No. of Water Levels	Automatically adjusts to the size of load
No. of Soil Levels	3

FABRIC CARE FEATURES

SmartRinse™ Jet Spray System	Yes
ColdWash™ Option	Yes
SenseClean™ System	Yes

CONVENIENCE FEATURES

SlamProof™ Lid	Yes
TrueBalance™ Anti-Vibration System	Yes
SmartDiagnosis™	Yes
3-Tray Dispenser	Yes
LoadSense	Yes
Status Indicator(s)	Yes
End of Cycle Signal	Yes
Child Lock	Yes
Auto Suds Removal	Yes
Forced Drain System	Yes
Add Garment Indicator	Yes
Leveling Legs	Yes

MOTOR AND AGITATOR

Motor Type	Inverter Direct Drive Motor
Max RPM	800
Axis	Vertical

MATERIALS AND FINISHES

Stainless Steel Drum	Yes
Cabinet	Painted Steel
All Available Colors	White (W)
Lid	White - Transparent Glass

POWER SOURCE

Ratings	CSA Listed
Electrical Requirements	120V @ 60Hz.

DIMENSIONS

Product (WxHxD)	27 5/8" x 44 1/2" x 28 3/8" (57 1/5" H with lid open)
Carton (WxHxD)	29" x 46 3/8" x 31 3/8"
Weight (Product)	127 lbs
Weight (Carton)	147 lbs

LIMITED WARRANTY

Parts and Labor	1 Year
Direct Drive Motor	10 Years
Drum	3 Years

UPC CODES

WT7150CW (White)	048231028431
DLE7150W (White)	048231028448
DLG7151W (White)	048231028455

WT7150CW

5.0 cu. ft. Rear Control Top Load Washer

QUICK INSTALL & CLEARANCES

For full installation directions/clearances please refer to the corresponding User Manual and Installation Guide.

DIMENSIONS/CLEARANCES/WEIGHTS

A Width	27 5/8"
B Height	44 1/2"
C Depth	28 3/8"
D Height with lid open	57 1/5"
Carton Dimensions (WxHxD)	29" x 46 3/8" x 31 3/8"

ENERGY / RATINGS

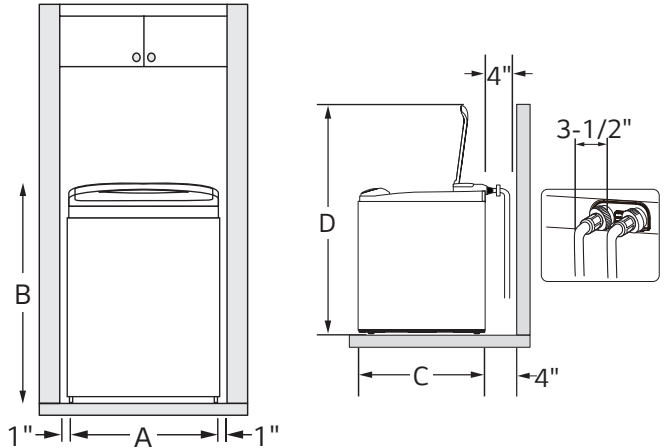
ENERGY STAR® Qualified	Yes
IMEF	2.06
IWF	4.3
Ratings	CSA Listed
Electrical Requirements	120V @ 60Hz.

ELECTRICAL REQUIREMENTS

- The washer should be plugged into a 120-VAC, 60-Hz grounded 3-prong outlet. Plug in the washer. Improper connection of the equipment-grounding conductor can result in risk of electric shock. Check with a qualified electrician or service technician if you are in doubt as to whether the appliance is properly grounded. Do not modify the plug provided with the appliance. If it does not fit the outlet, have a proper outlet installed by a qualified electrician. Failure to follow these warnings can cause serious injury, fire, electrical shock, or death.
- The power outlet must be within 60 inches (1.5 m) of either side of the washer.
- The appliance and outlet must be positioned so that the plug is easily accessible.
- Do not overload the outlet with more than one appliance.
- The outlet must be grounded in accordance with current wiring codes and regulations.
- Time-delay fuse or circuit breaker is recommended.
- It is the personal responsibility and obligation of the product owner to have a proper outlet installed by a qualified electrician.



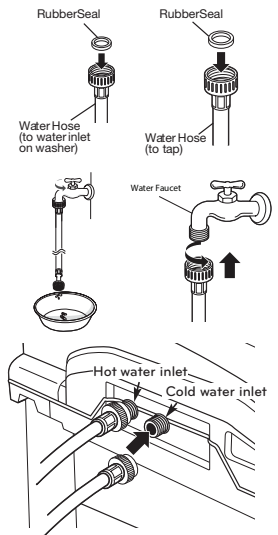
DIMENSIONS AND CLEARANCES



- To ensure sufficient clearance for water lines and airflow, allow minimum clearances of at least 1 in. (2.5 cm) at the sides and 4 in. (10 cm) behind the unit. Be sure to allow for wall, door, or floor moldings that may increase the required clearances.

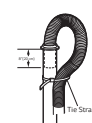
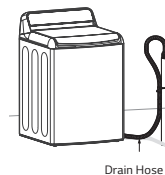
CONNECTING THE WATER LINES

- LG recommends the use of LG hoses. Any leaking, property damage, or damage to the washing machine caused by an improper installation or by the use of non-LG hoses is not covered under the terms of the LG warranty and is the sole responsibility of the customer and/or an installer.
- Water supply pressure must be between 20 psi and 120 psi (138-827 kPa). If the water supply pressure is more than 120 psi, a pressure reducing valve must be installed.
- Inspect the threaded fitting on each hose and make sure there is a rubber seal in place in both ends of each hose.
- Connect the water supply hoses to the HOT and COLD water faucets tightly by hand and then tighten another 2/3 turn with pliers.
- Always run a gallon or two of water through each inlet hose to flush dirt, scale and other debris out of the water lines. Doing so will help prevent future problems with clogged filter screens, and will also allow you to verify which water line is hot and which is cold.
- Attach the hot water line to the hot water inlet on the back of the washer. Attach the cold water line to the cold water inlet on the back of the washer. Tighten the fittings securely. Turn ON both faucets all the way and check for leaks at both ends of the hoses.



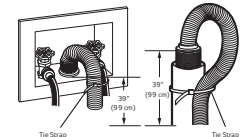
CONNECTING THE DRAIN HOSE

- The drain hose should always be properly secured. Failure to properly secure the drain hose can result in flooding and property damage.
- The drain must be installed in accordance with any applicable local codes and regulations.
- Make sure that the drain hose is not stretched, pinched, crushed, or kinked.
- Normal height of the end of the hose should be approximately 35"-47" (0.9-1.2 m) from the floor.
- Do not install the end of the drain hose lower than 29 in. (73.7 cm) or higher than 96 in. (243.8 cm) above the bottom of the washer or more than 60 in. (152.4 cm) away from the washer.
- Never create an airtight seal between the hose and the drain with tape or other means. If no air gap is present, water can be siphoned out of the tub resulting in poor wash/rinse performance or clothing damage.



STANDPIPE Option

- Do not insert the end of the drain hose into the standpipe more than 8 inches (20cm). **Doing so can cause siphoning, odors, or improper draining.**



LAUNDRY TUB Option

- Do not use this drain hose with a floor drain. The end of the drain hose must be at least 29 inches above the floor for proper draining to occur.