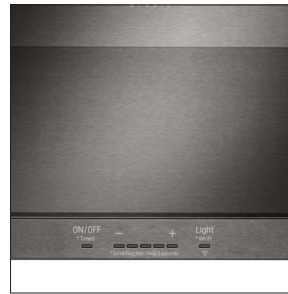


LG STUDIO

LSHD3089BD / LSHD3689BD LSHD3080ST / LSHD3680ST 30"/36" Wall Mount Range Hood



Fingerprint & Smudge Resistant

Available in 30" & 36" Widths

5" Low-Profile Body

22 1/16" Depth

Accommodates Ceilings up to 9'6"

5-Speed IR Touch Controls

Dual Level LED Lighting

Decorative Mesh Filters (2)

wi-fi Capabilities

RoHS Compliant

FEATURES

Controls	IR Touch
Auto Delay-Off	Yes
Lighting	9W LED Light Strip
Dual-Level Lighting	Yes
Filters	Decorative Mesh (2) Dishwasher-Safe
wi-fi Capabilities	Yes (On/Off, Control CFM, Lights, Status)
RoHS Compliant	Yes

BLOWER

Speed Levels	5
CFM (min-max)	200-600
Sones (min-max)	1-6

DUCTING

Vertical Internal Blower	6" Round
--------------------------	----------

MATERIALS/FINISHES

Available Colors	Black Stainless Steel (BD)
Fingerprint & Smudge Resistant	Yes

POWER/RATINGS

UL Listed	Yes
Ratings/Requirements/Type	120V, 4 Amps, 60Hz
Circuit Breaker Size	15 Amps

MOUNTING HEIGHT

Distance Over Cooking Surface	26" - 34"
-------------------------------	-----------

30" DIMENSIONS/WEIGHT

Product Dimensions (WxHxD)	29 15/16" x 27" to 48 1/2" x 22 1/16"
Carton Dimensions (WxHxD)	34 1/4" x 27 3/8" x 26 5/8"
Weight (Product/Shipping)	35 / 52 lbs

36" DIMENSIONS/WEIGHT

Product Dimensions (WxHxD)	35 7/16" x 27" to 48 1/2" x 22 1/16"
Carton Dimensions (WxHxD)	39 1/2" x 27 3/8" x 26 5/8"
Weight (Product/Shipping)	37 / 55 lbs

LIMITED WARRANTY

Limited Warranty	2 years parts and labor
------------------	-------------------------

UPC CODES

LSHD3089BD (30" Black Stainless Steel)	048231338981
LSHD3689BD (36" Black Stainless Steel)	048231338998
LSHD3080ST (30" Stainless Steel)	048231339841
LSHD3680ST (36" Stainless Steel)	048231339858



LSHD3089BD / LSHD3689BD LSHD3080ST/ LSHD3680ST 30"/36" Wall Mount Range Hood

QUICK INSTALL & CLEARANCES

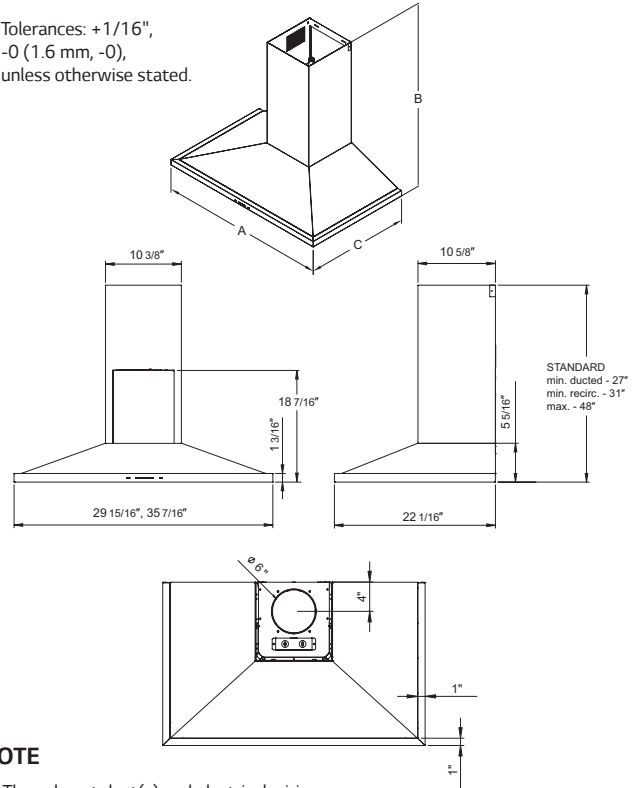
For full installation directions/clearances please refer to the corresponding User Manual and Installation Guide.

30" DIMENSIONS	
A Width	29 15/16"
B Height	48 1/2"
C Depth	22 1/16"
36" DIMENSIONS	
A Width	35 7/16"
B Height	48 1/2"
C Depth	22 1/16"
POWER RATINGS	
AC Power	120V, 4 Amps ,60Hz



DIMENSIONS

- Tolerances: +1/16", -0 (1.6 mm, -0), unless otherwise stated.



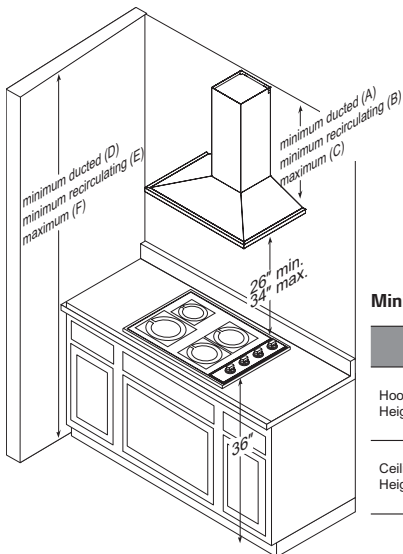
NOTE

- The exhaust duct(s) and electrical wiring can be connected from either the top or the back of the hood.

CABINET LAYOUT

WARNING

- Observe all governing codes and ordinances during planning and installation. Contact your local building department for further information.
- Use only duct work deemed acceptable by state, municipal and local codes.



WARNING

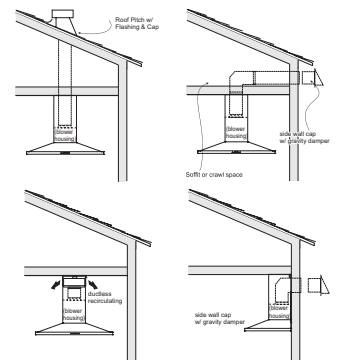
- To reduce the risk of personal injury caused by reaching over a hot appliance, cabinet storage space located directly above the range should be avoided

Minimum Cabinet Width:

	Standard Duct Cover	
Hood Heights	minimum ducted (A)	27"
	minimum recirculating (B)	31"
	maximum (C)	48-1/2"
Ceiling Heights	minimum ducted (D)	89" (7' 5")
	minimum recirculating (E)	93" (7' 9")
	maximum (F)	118" (9' 10")

DUCTING OPTIONS

- A minimum of 6" round duct must be used to maintain maximum air flow efficiency.
- Always use rigid metal ducts only. Flexible ducts could restrict air flow by up to 50%.
- ALWAYS, when possible, reduce the number of transitions and turns. If long duct run is required, increase duct size from 6" to 7" or 8".
- If turns or transitions are required, install as far away from hood duct output and as far apart as possible.
- Minimum mount height between range top to hood bottom should be no less than 26".
- Maximum mount height should be no higher than 34".
- It is important to install the hood at the proper mounting height. Mounting the hood too low could result in heat damage and fire hazard. Mounting the hood too high will make it hard to reach and reduce its performance and efficiency.
- If available, also refer to the range manufacturer's height clearance requirements and recommended hood mounting height above range.



WARNING Fire Hazard

- NEVER exhaust air or terminate duct work into spaces between walls, crawl spaces, ceiling, attics or garages.
- All exhaust must be ducted to the outside.
- Use metal ductwork only.
- Fasten all connections with sheet metal screws and tape all joints with certified Silver Tape or Duct Tape.